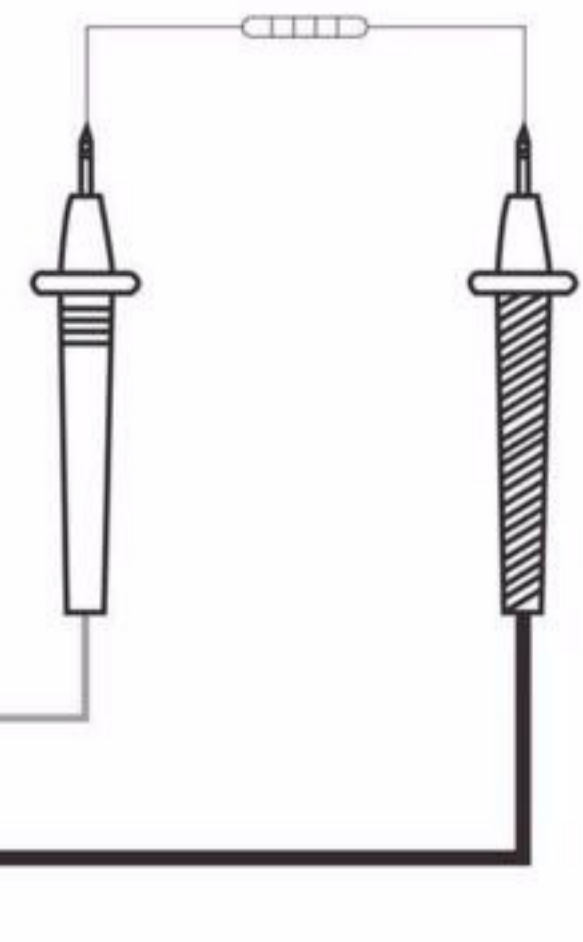
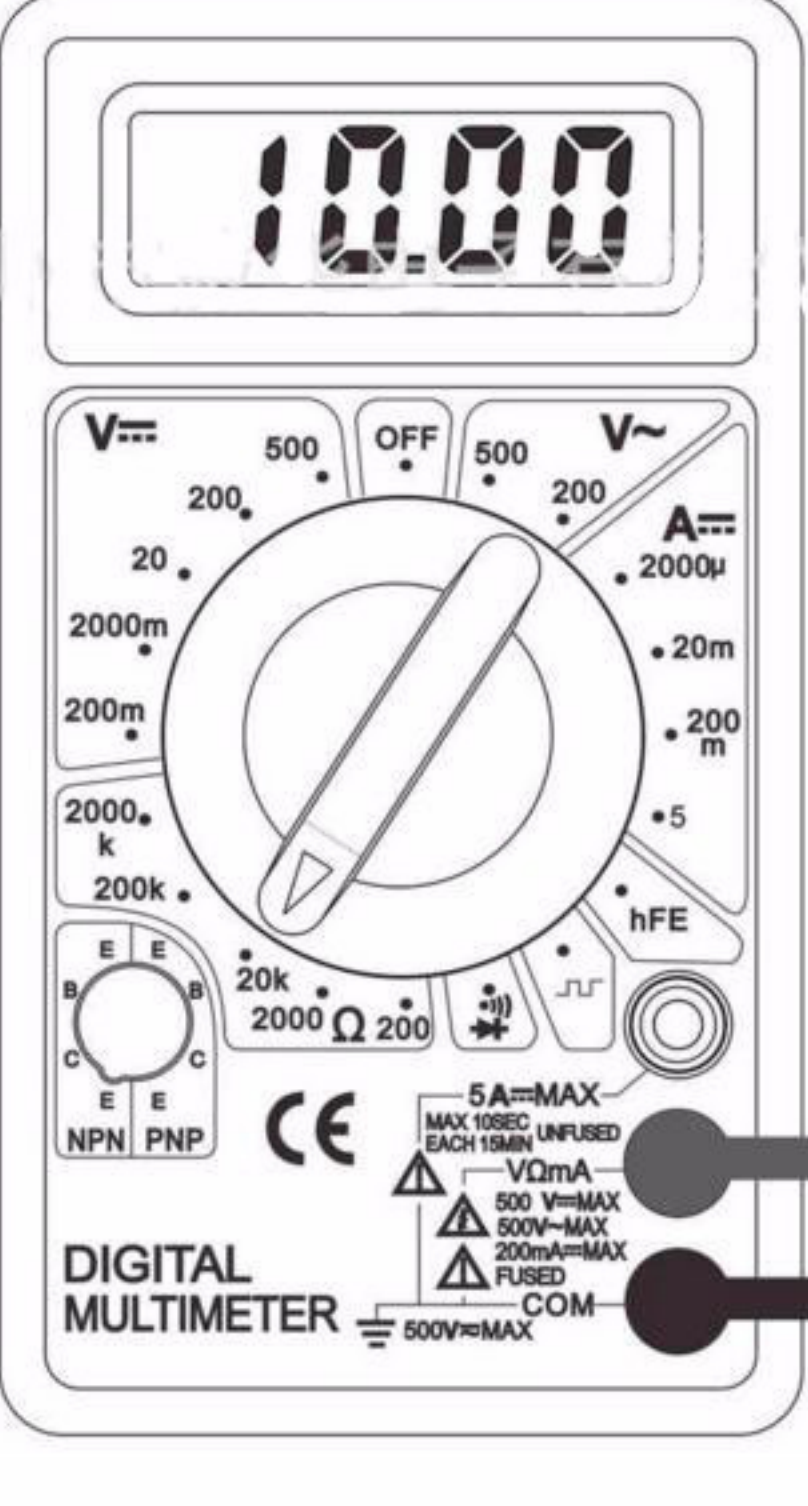
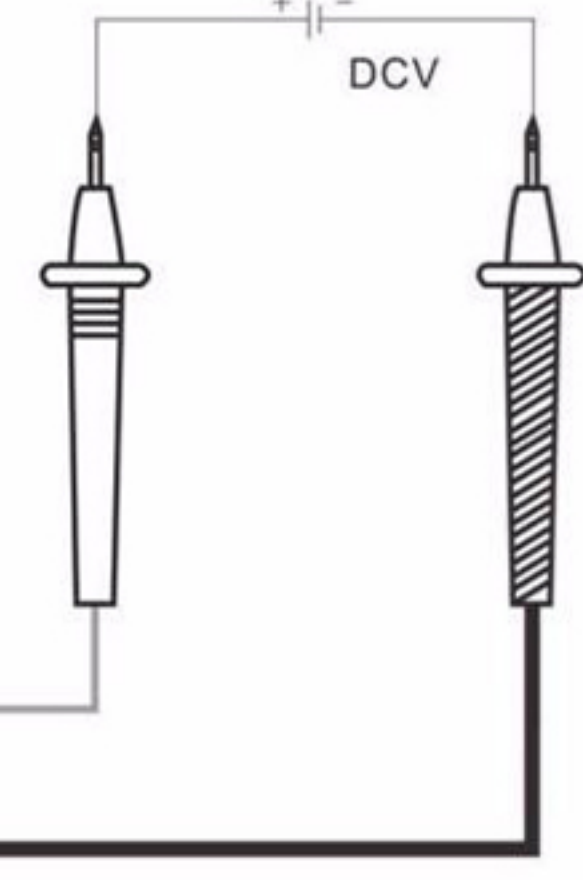
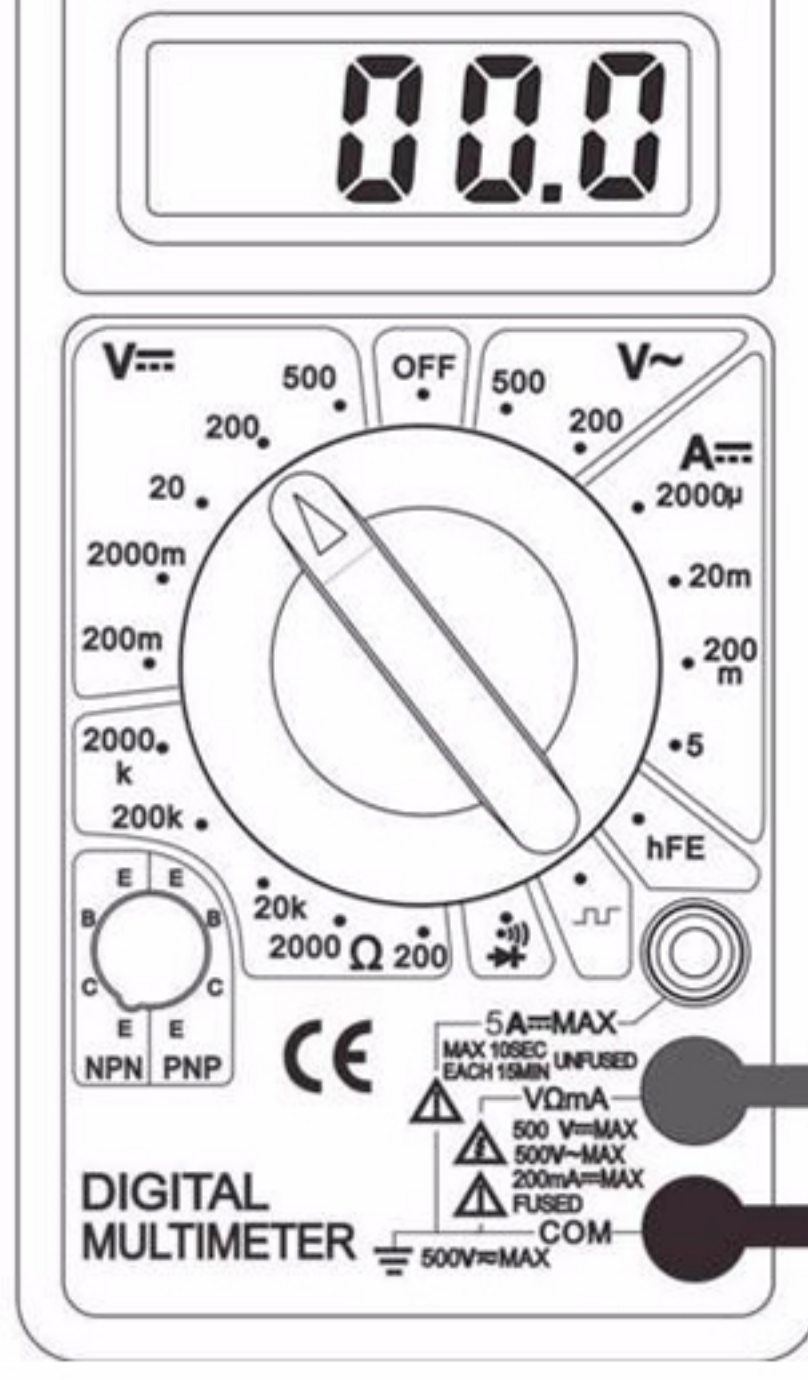


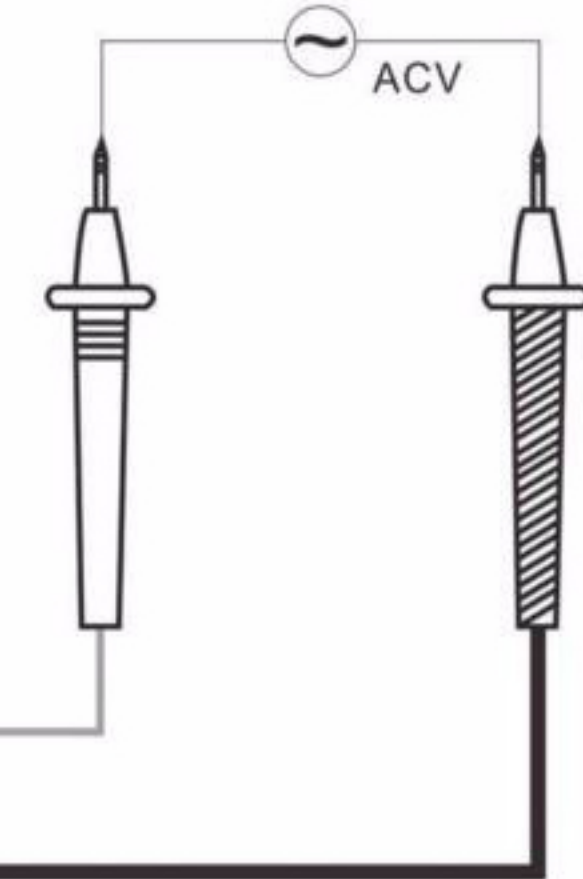
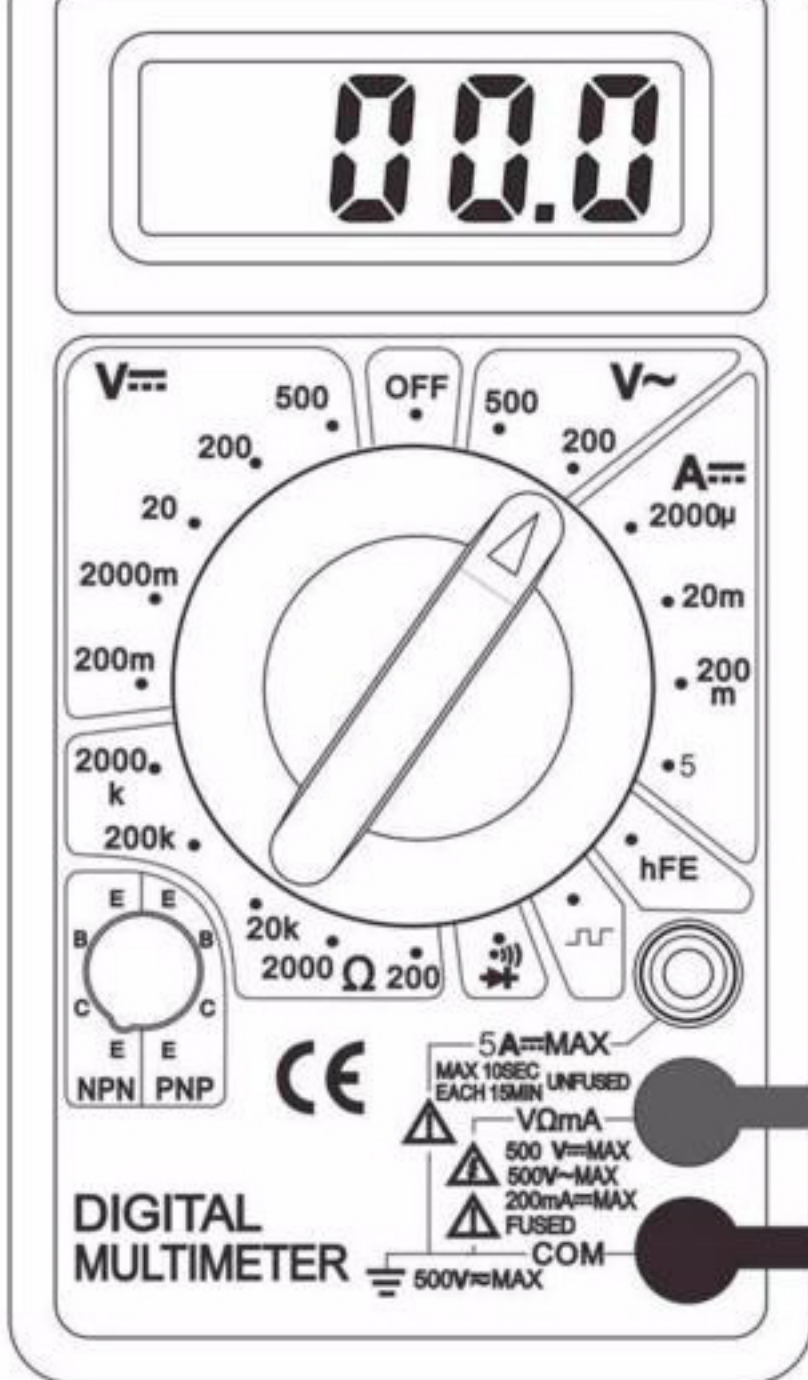
1. Resistance Measurement



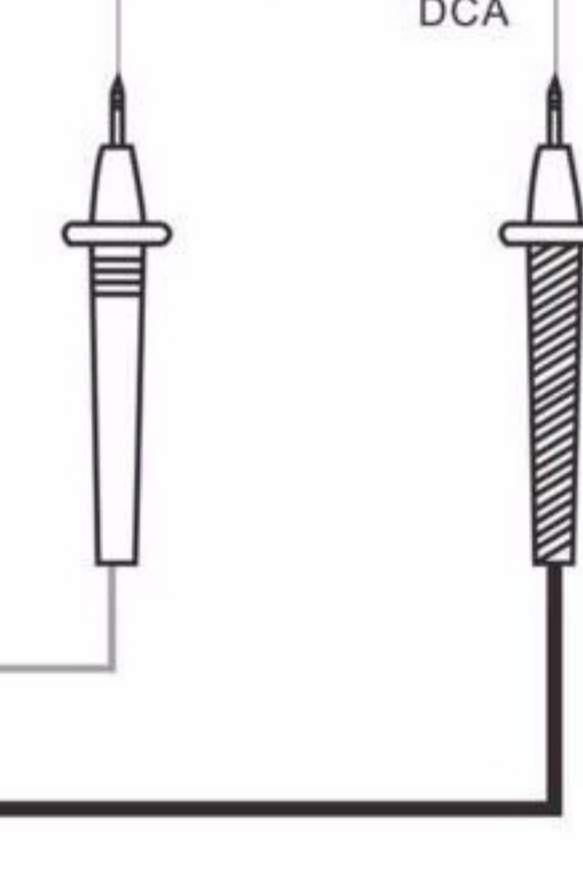
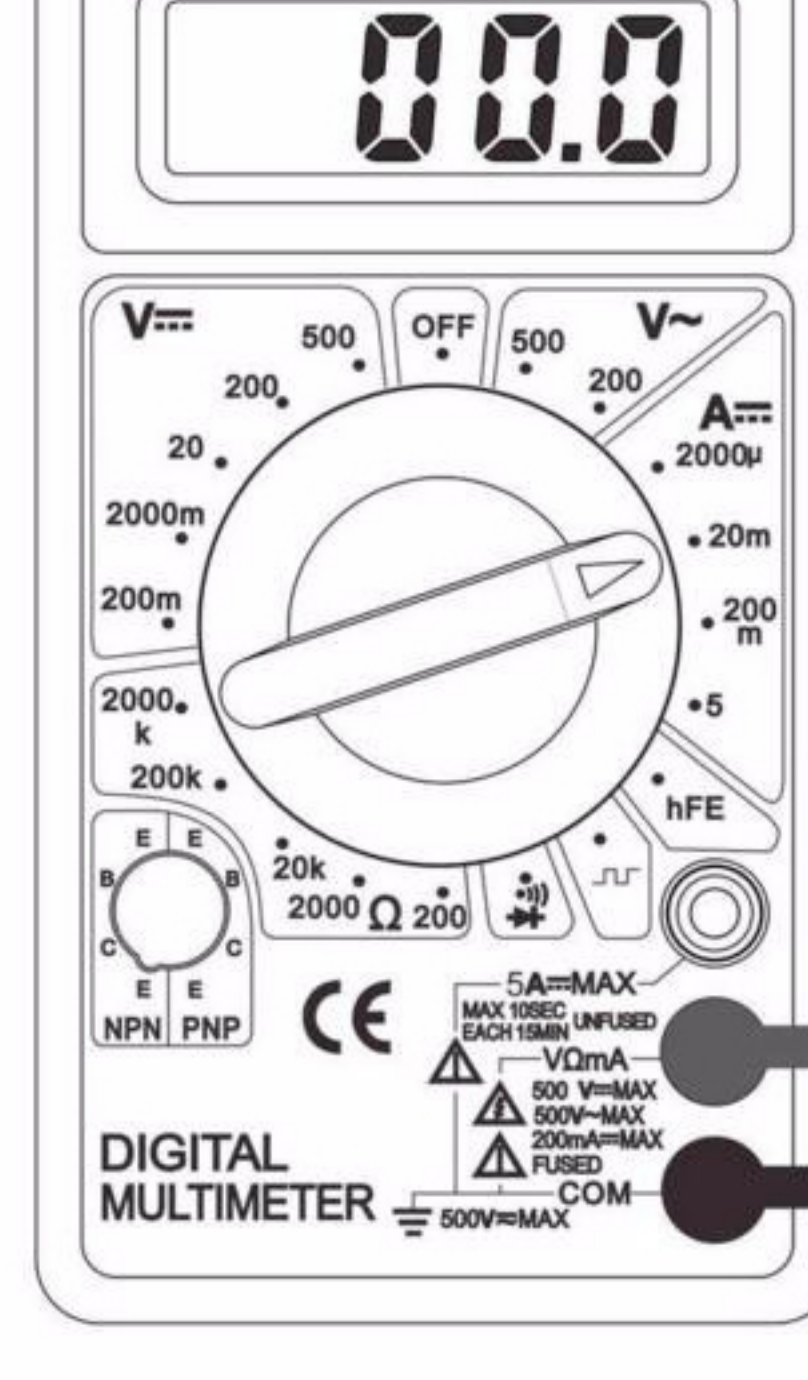
2. DC voltage measurements



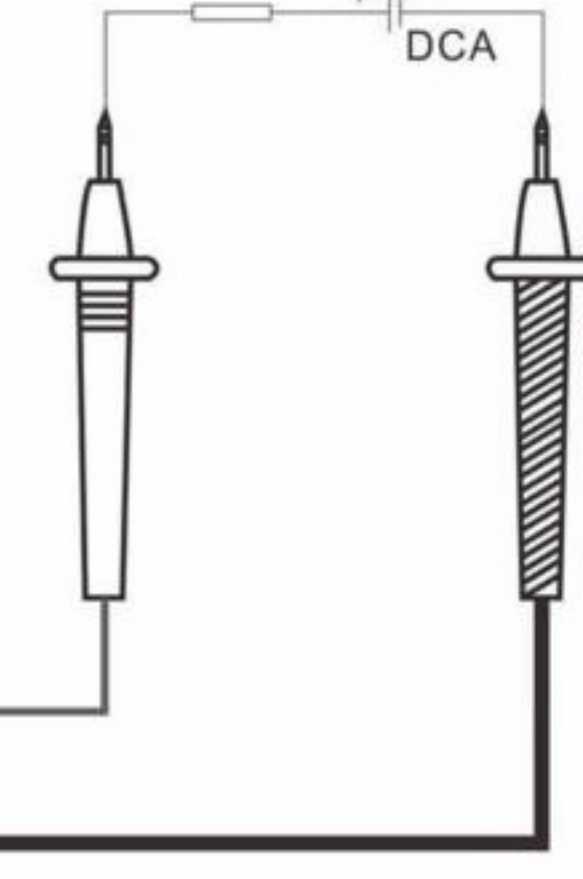
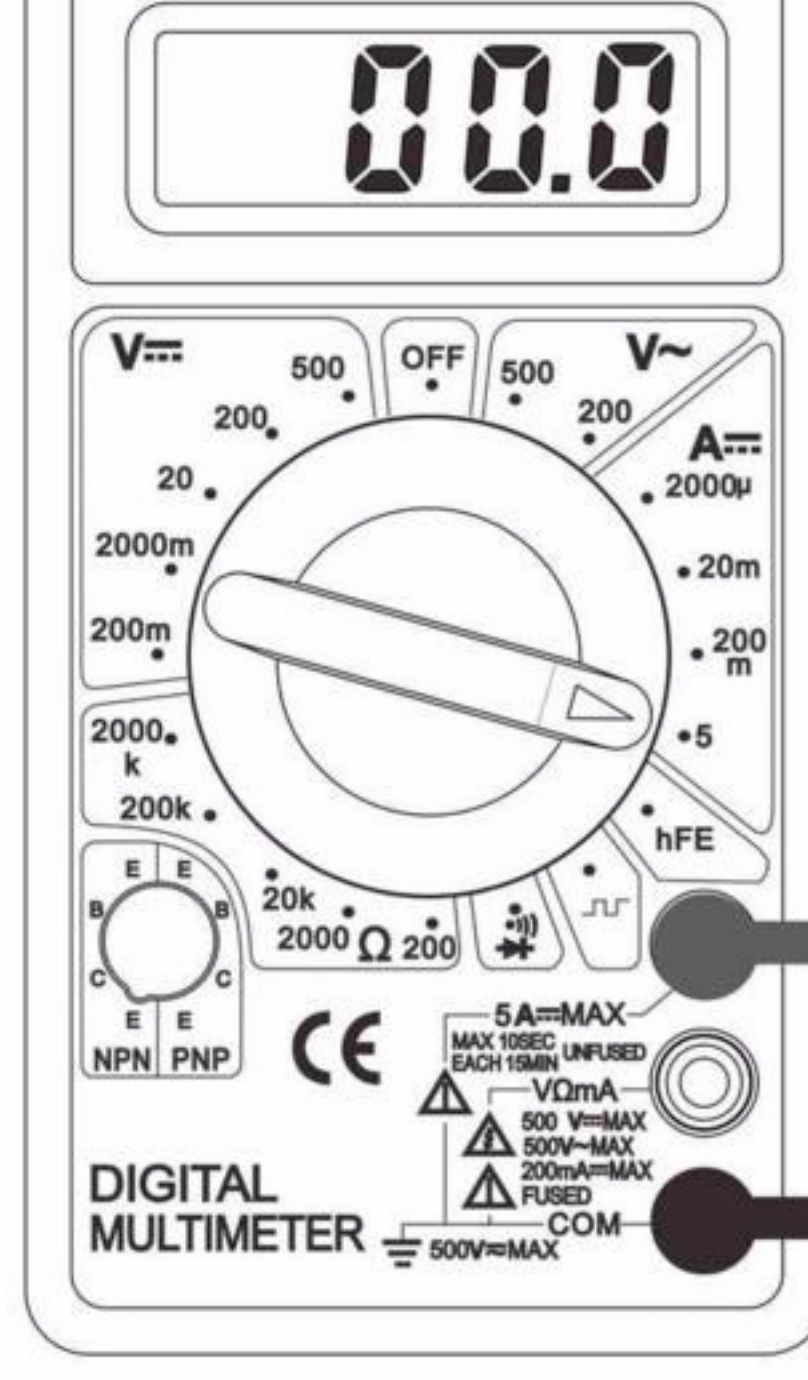
3. Ac voltage measurement



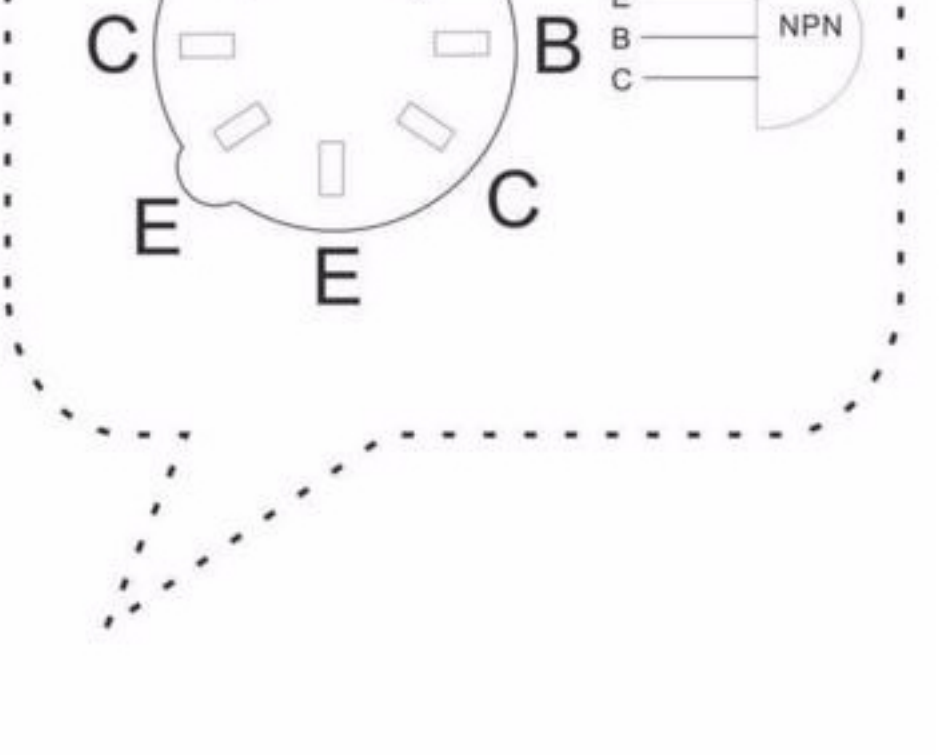
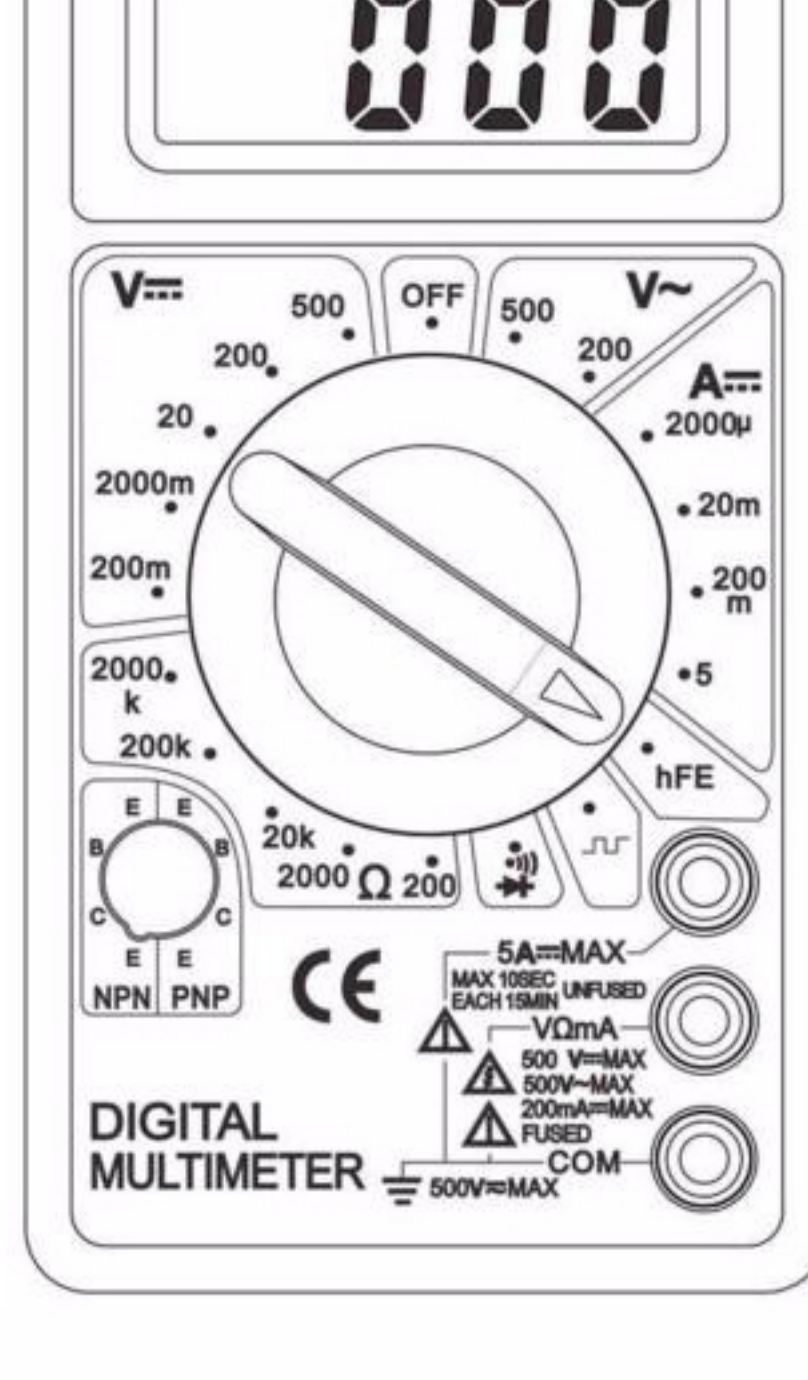
4. Dc current measurement



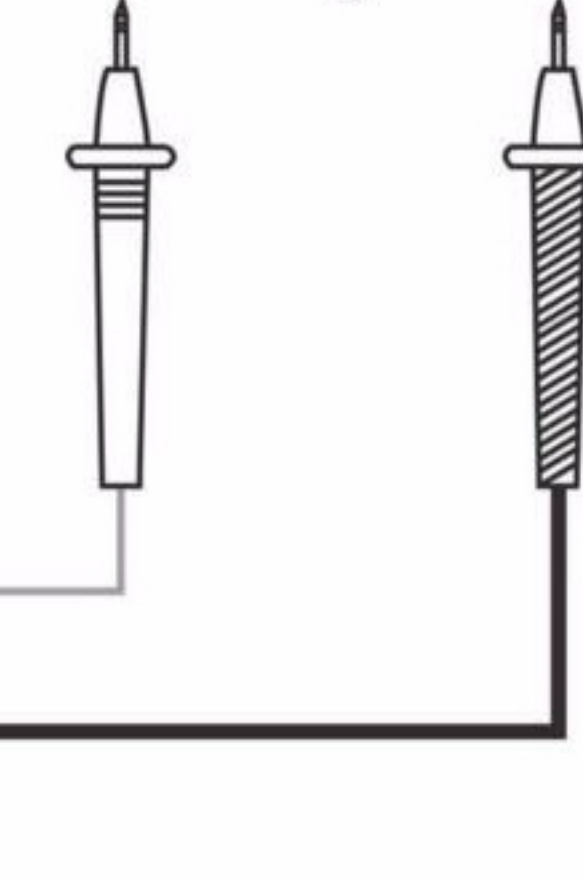
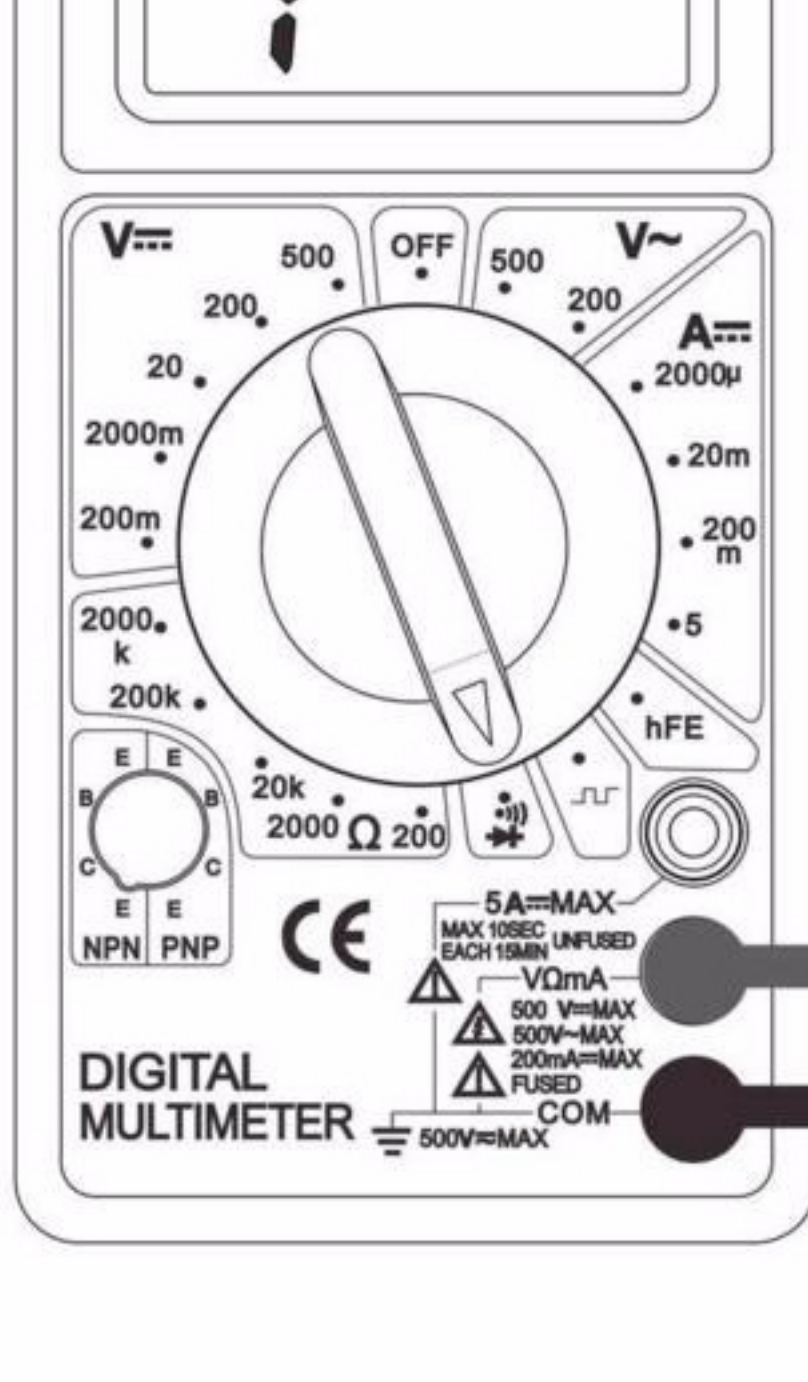
5. 5A DC current measurement



6. hFE measurement



7. Diode and On-off measurement



8. Square wave output

